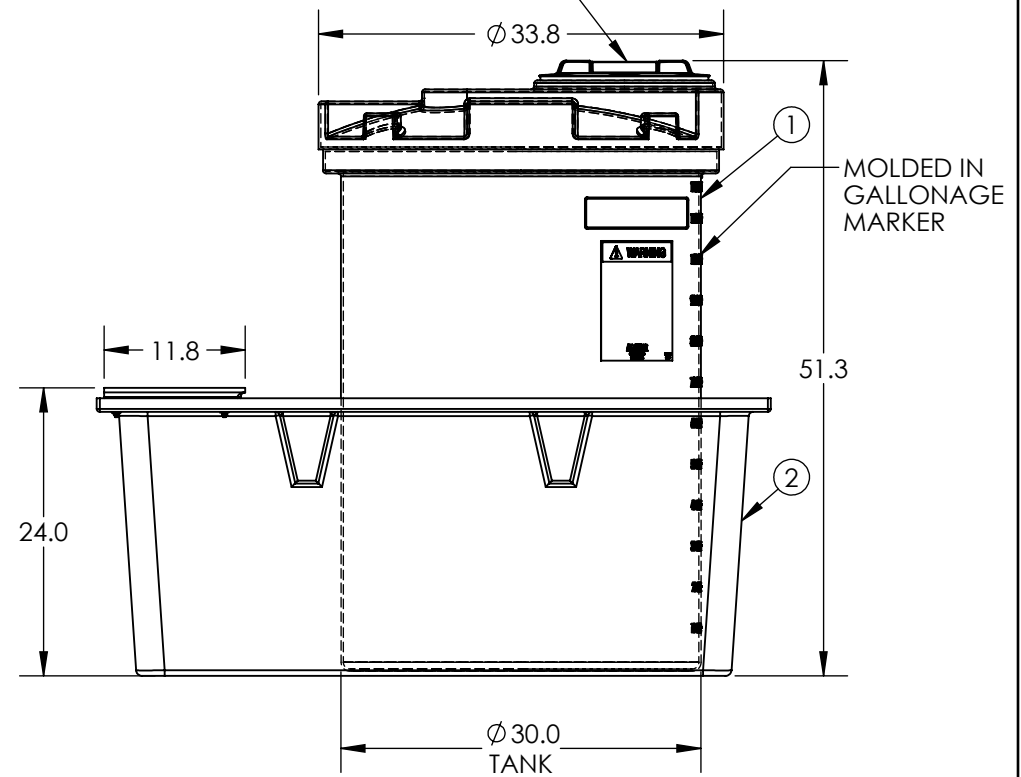


14" PE THREADED/VENTED
MANWAY W/11-3/8" ACCESS



③ SHRINK WRAP NOT SHOWN

3	1	00000171	PROTECTIVE PLASTIC PACKAGING 200 - 850
2	1	1007800N97802	ASM CNT 185 HD/BLK W/SHELF
1	1	5700100N__01	ASM TK 120VNT X 30
ITEM NO.	QTY.	PART NUMBER	DESCRIPTION
DO NOT SCALE		DRAWN BY	DATE
STATUS: Released		SB	06/27/2014
© SNYDER INDUSTRIES INC., 2014		SNYDER INDUSTRIES, INC.	
ALL DIMENSIONS, DESIGNS, AND INFORMATION ON THIS PRINT MUST BE CONSIDERED PROPRIETARY TO SNYDER INDUSTRIES, INC. AND MAY NOT BE USED, COPIED, OR DISTRIBUTED WITHOUT WRITTEN PERMISSION OF AN OFFICER (OR HIS AGENT) OF THE FIRM.		4700 Fremont Street Lincoln, NE 68504 (402) 467-5221 www.snydernet.com	
TITLE: ASM TK 120VNT CHEMFEED			REVISION A
PART NO. 5700103N		ENG. ID. D002247	
			SHEET 1 OF 1

***ALL EXTERNAL PIPING MUST BE INDEPENDENTLY SUPPORTED.**
***ONLY BASE FITTINGS TO BE LEFT INSTALLED AT TIME OF SHIPMENT PER SII PROCEDURE.**
***Consult Snyder's Guidelines for Use and Installation prior to delivery.**
 Available on-line at <http://www.snyderindustriestanks.com/Technical>
ALL DIMENSIONS ARE IN INCHES, NOMINAL, & SUBJECT TO CHANGE WITHOUT NOTICE.
ALL DIMENSIONS ON ROTATIONAL MOLDED PARTS ARE SUBJECT TO A ± 3% TOLERANCE.